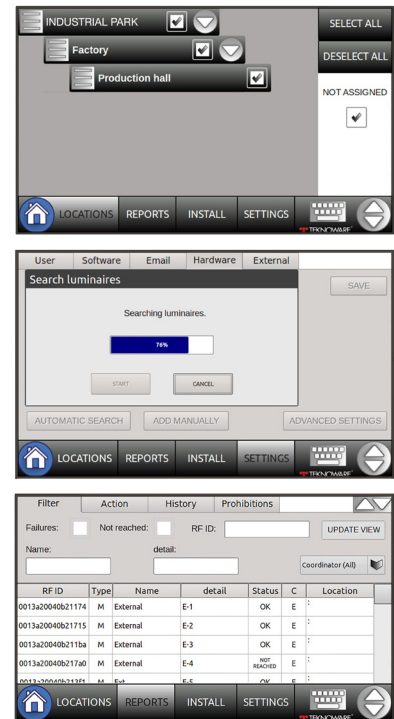


AALTO CONTROL WIRELESS MONITORING UNIT FOR WALL-MOUNTING

Aalto Control Wireless Monitoring Unit (TST5108)

With the wall-mounted Aalto Control Wireless Monitoring Unit (WMU), it is possible to monitor and control self-contained Aalto Control emergency and exit lights, equipped with Super Capacitors, or traditional batteries. Aalto Control WMU enables the local, wireless monitoring of emergency and exit lights. Aalto Control WMU is installed on the wall, equipped with a 7" touch screen, and an easy-to-use graphical user interface. Typical indoor luminaire to luminaire and Aalto Control Wireless Monitoring Unit to luminaire is up to 40 m. Up to 500 luminaires can be connected to a single Aalto Control WMU system.



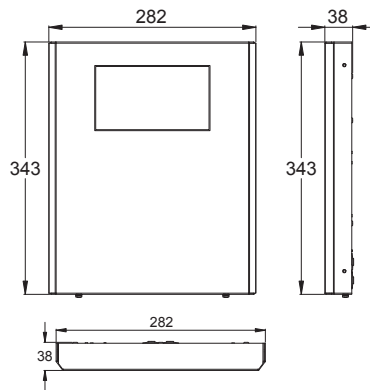
**NEW WALL-MOUNTED
AALTO CONTROL UNIT**

**USER-FRIENDLY 7"
TOUCH SCREEN**

NO NEED FOR A PC

**MONITORS UP TO 500
LUMINAIRES**

TST5108 DIMENSIONS



Product code	Product description
TST5108	Aalto Control Wireless Monitoring Unit
TST5103(B)	Aalto Control Wireless / Ethernet Coordinator (2-pin "Europlug"), (TST5103B=3-pin "UK-plug")
TST5105(B)	Aalto Control Wall Router (2-pin "Europlug"), (TST5105B=3-pin "UK-plug")
TST5107	Aalto Control Relay Output Module, a module which enables the Aalto Control system to control a relay-based device, such as an alarm device, or an indicator light

Aalto Control WMU Features

- Works independently, no need for a PC
- Possibility to add one external Aalto Control Coordinator, TST5103, through Ethernet
- Includes one Coordinator inside the Unit
- Operates from mains current, does not interfere with the electrical feed of the luminaires
- Setting the luminaires to Blink mode
- Log book of the luminaires, uploadable on a USB stick
- Prohibition times can be defined for luminaire and battery tests
- Various user levels can be defined for different users
- Saves the data and location of the connected luminaires in the data base
- A Relay Output makes it possible to transfer a fault alarm to external systems
- Up to 500 luminaires can be connected to one Aalto Control WMU system

TECHNICAL DATA

Frequency	2,4 GHz
Transmitter power output	3,1 mW
Receiver sensitivity	-100 dBm
Indoor range	up to 40 m
Outdoor range	up to 80 m

CERTIFICATION OF WIRELESS TECHNOLOGY

USA (FCC Part 15.247)

Industry Canada (IC)

Europe (CE) ETSI

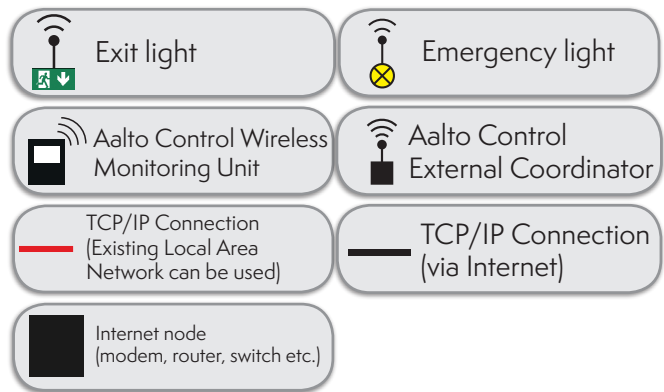
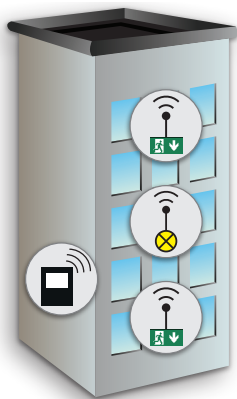
RoHS Compatible

AALTO CONTROL WMU SYSTEM COMPONENTS



AALTO CONTROL WMU BASIC SYSTEM LAYOUT

1



AALTO CONTROL WMU + EXTERNAL COORDINATOR

2



CONNECTION VIA INTERNET

3

