



The TKT24 is a 24V addressable centrally supplied emergency lighting system. A true alternative to self-contained luminaires in renovation projects, new builds, or when modernizing an emergency lighting system.

Easy. Compact. Versatile.

A compact addressable central battery unit for emergency lighting

The addressable TKT24 central battery system is the best fit for smaller locations, renovation projects and in buildings in which a centrally supplied system is divided into several independent areas.

In addition to its stylish design and compact size, the TKT24 is a true Central Battery Unit. All the components are inside the system's CBU. This means that the luminaires are simple and affordable. The TKT24 series is often the most cost-efficient way to implement a centrally monitored and supplied emergency lighting system.



The image shows a white, rectangular TKT24 Central Battery Unit (CBU) with a small digital display and buttons on the front panel. The unit is surrounded by various feature callouts connected by red lines.

- A true Central Battery Unit**
Get all the benefits of a real Central Battery Unit. All components and batteries are inside the case.
- Easy installation**
No data cables, no hassle. Replace an existing, outdated system with ease.
- Self-learning system**
Quick and easy commissioning.
- Automatic addressable testing**
Set up the system and let the TKT24 take care of the testing.
- Remote monitoring with ACM**
Get automatic reports via email.
- Protection class III**
The luminaires operate at 24V.
- Secure**
Password protected and tamper-proof.
- On screen reporting**
Check errors and status with one glance.
- Compact**
The depth is only 112 mm and weight without batteries is less than 12 kg (TKT2404).
- Stylish**
Clean, minimalistic outline.
- Fire zone specific emergency lighting**
A Cost-efficient and functional solution for fire zone specific emergency light systems.

FACTS IN BRIEF



FIRE ZONE SPECIFIC
EMERGENCY LIGHTING



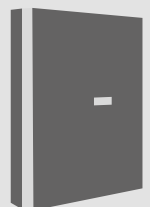
AUTOMATIC
TESTING



EASY
INSTALLATION



COST
EFFICIENT



STYLISH
AND COMPACT

Specifications

Addressable 24 V Central Battery Systems

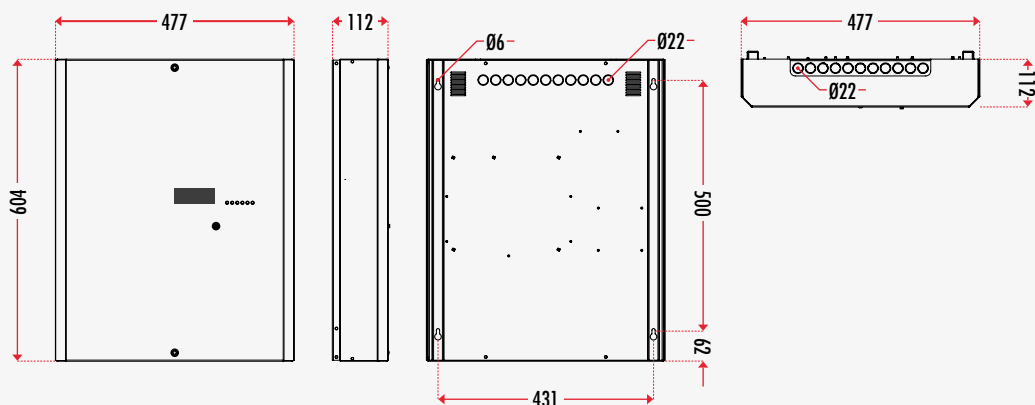
Product code	Max. input power (mains)	Number of circuits / Outputs	Max total load, mains operation	Max. total load, 1 h battery operation*	Max. total load, 3 h battery operation*	Space for Batteries	Max. battery capacity
TKT2404C	400 VA	4 x 60 W	240 VA	200 W	90 W	2 x 12 V / 17 Ah	17 Ah
TKT2408C	700 VA	8 x 60 W	400 VA	400 W	190 W	2 x 12 V / 38 Ah	38 Ah

Output voltage: 24 V AC/DC | **Batteries:** 2 x 12 V (24 V) | **Nominal supply voltage:** 1~ N PE 220-240 VAC, 50 Hz

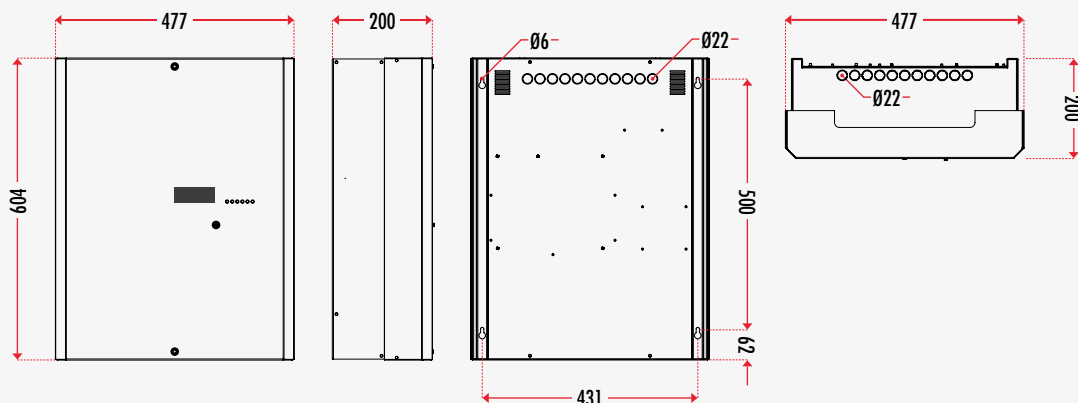
*a reserve of 20% is noted in the calculation

Dimensions (mm)

TKT2404C



TKT2408C



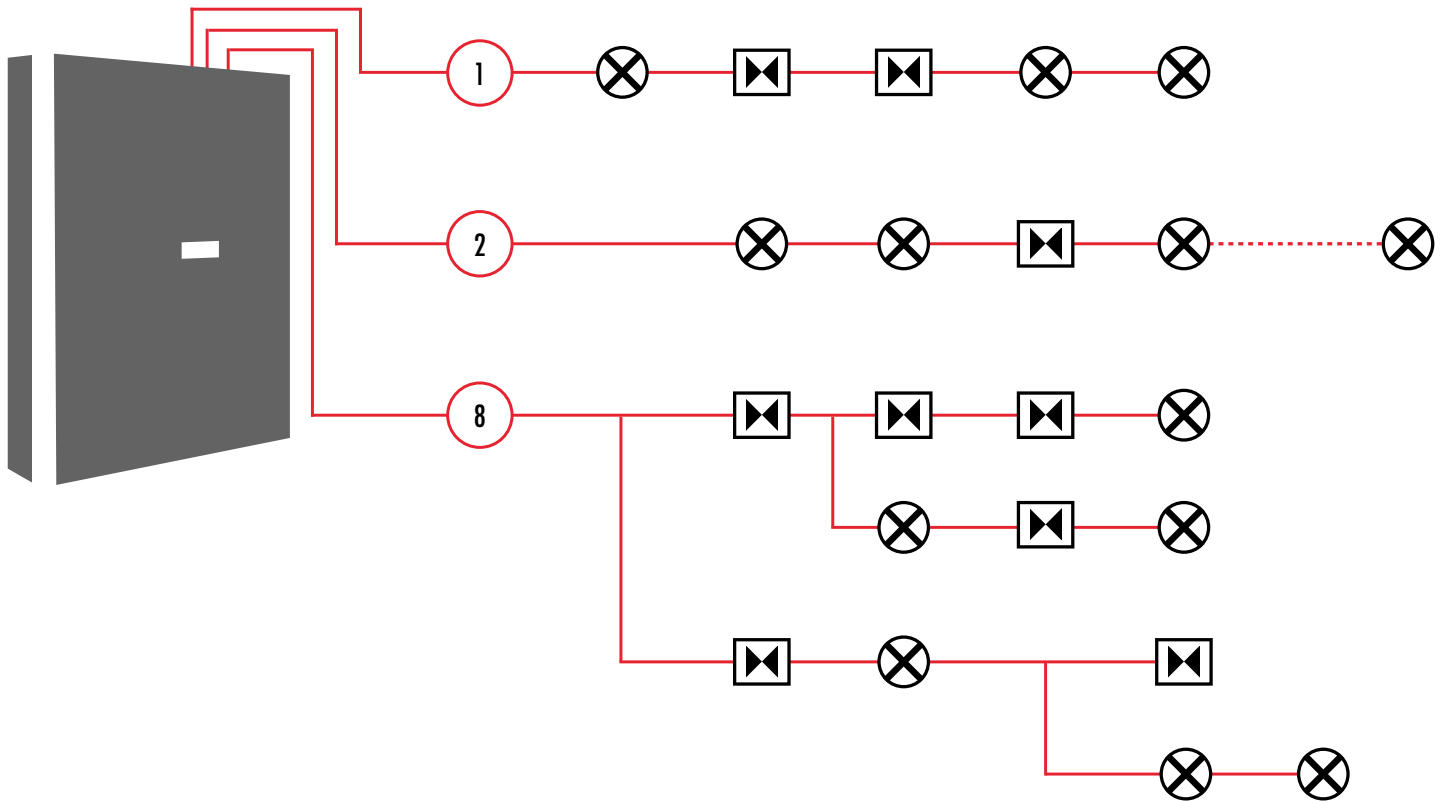
Compatible luminaires

With the TKT24 you can use a wide range of compatible emergency and exit lights in your project. The TKT24 itself contains backup power source and all monitoring intelligence. The luminaires, especially designed for this system, are simple and durable long-life products.

	Product name	Product Code
Exit lights	SOLID EXIT	TWT3041WK
	ESC 80	TWT8041WK
	ESC 90	TWT9041WK
Emergency lights	ZONESPOT II LOWBAY	TWT0441WK
	LINESPOT II LOWBAY	TWT1441WK
	SOLID ZONE LOWBAY	TWT3241WK
	SOLID ZONE MIDBAY	TWT3641WK
	SOLID LINE LOWBAY	TWT4241WK
	SOLID LINE MIDBAY	TWT4341WK
	LINESPOT II MIDBAY	TWT8841WK
	ZONESPOT II LOWBAY	TWT9241WK
	ZONESPOT II MIDBAY	TWT9341WK
	LINESPOT II LOWBAY	TWT9941WK

1. TKT24 Central Battery Unit with compatible luminaires (TW_{xx41WK})

The TKT24 Central Battery Unit has either 4 or 8 circuits, each containing 32 addresses for luminaires, where the number of luminaires depends on the total electrical load and local regulations (20 luminaires / circuit in EU). The TKT24 includes an easy to use LCD display-based user interface, from which the status of the CBU, each individual luminaire, and their test history can be seen.

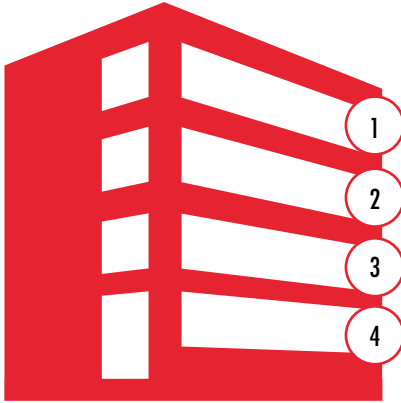


Automatic testing

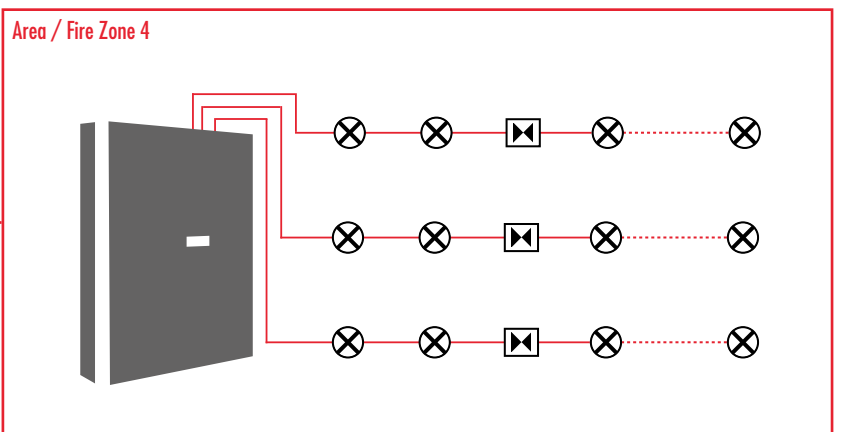
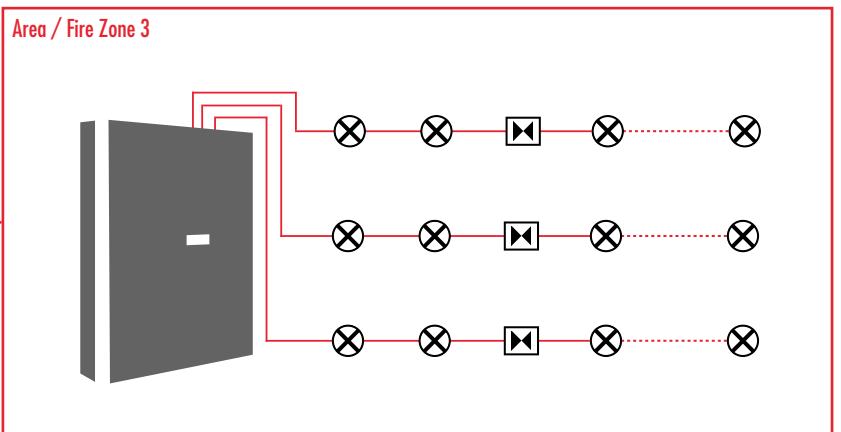
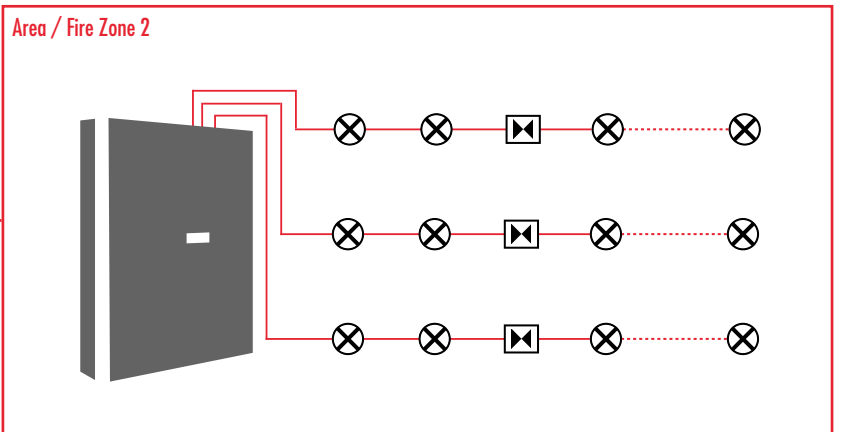
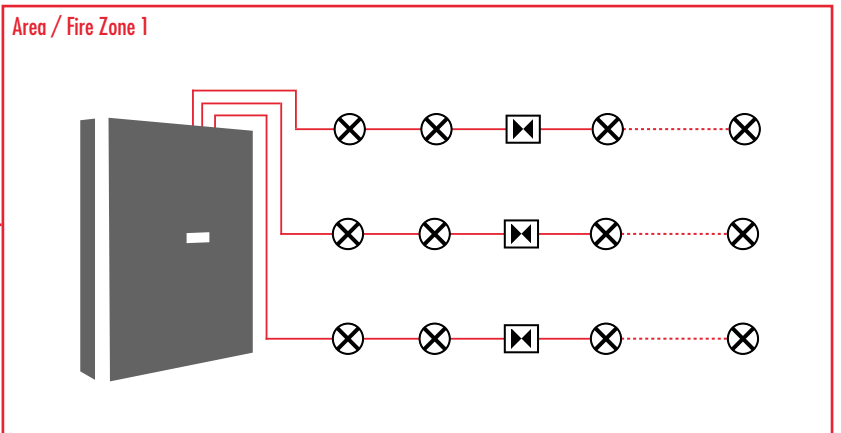
The data between the luminaires and CBU is fed through the power supply cables, so no separate data cabling is required for the luminaires. Using addressable luminaires allows the connection of both non-maintained and maintained emergency and exit lights in the same circuit. The TKT24 is a self-learning system, and the luminaire setup is stored automatically during commissioning. The system monitors individual luminaires and luminaire circuits, as well as the condition of the batteries. The automatic tests are run according to user-defined intervals.

2. One TKT24 per Area or Fire Zone

The TKT24 System operates perfectly when one CBU is installed for every fire zone and the CBU's work independently. It is a cost-effective solution and there's no need for fire proof cabling.



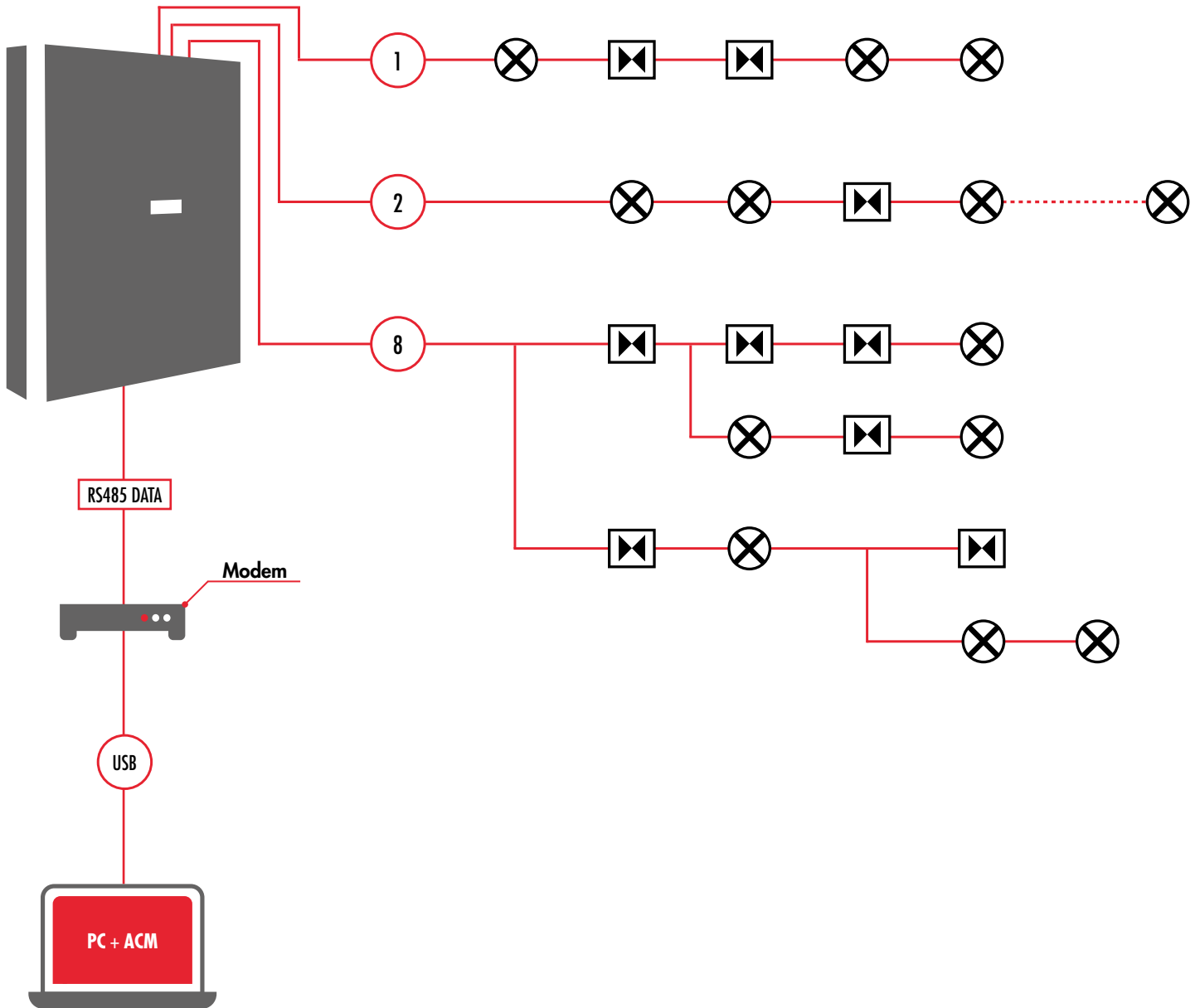
The capacity of the TKT24 is ideal for supplying emergency luminaires within a fire zone sized area, such as a building floor. When each of the areas has their own TKT24, there is no need for fire proof cabling between the fire zones. TKT24 is compact and tamper-proof, which means finding an installation spot for it is easy.



 = Non-maintained luminaire  = Maintained exit luminaire

3. TKT24 with Advanced Central Monitoring (ACM)

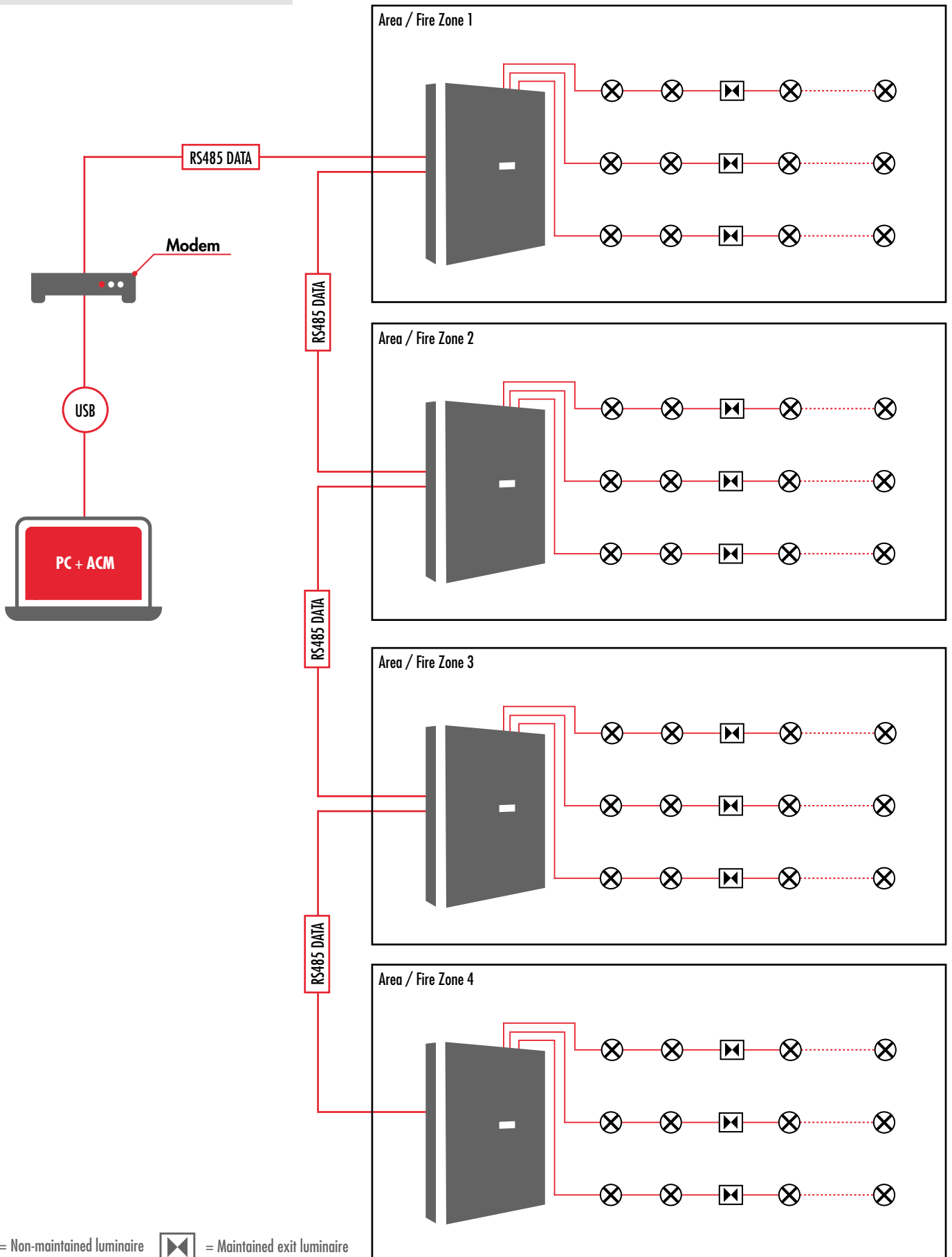
Teknoware Advanced Central Monitoring software is intended for monitoring the Central Battery Units (CBUs) and emergency luminaires remotely. ACM allows monitoring of up to 150 TKT24 CBUs. The software allows the user to run luminaire and battery tests, monitor battery voltages and system errors, as well as letting them create layout maps and mark CBUs and luminaires on the map. The software also provides information about faulty luminaires, executed tests, and faults. All the information from the system is automatically saved to a log file.



⊗ = Non-maintained luminaire ◀▶ = Maintained exit luminaire

4. One TKT24 per Area or Fire Zone + ACM

In this scenario up to 150 TKT24 CBU's can be connected to the same ACM software. Full reports from the automatic testing and fault reports are sent via email at set intervals. The connected luminaires and CBU's can be located using the map view. Individual notes and additional information can be included for all components.



LET THERE BE CONFIDENCE.

People tend to take the presence of light for granted. We take it seriously. By creating the perfect solutions for our customers' needs, we offer solutions that increase the comfort, functionality and safety of their applications. Our passion is to design and manufacture emergency lighting systems for buildings and cruise ships and lighting systems for public transportation vehicles.

Our turnover is over EUR 60 million, we employ about 400 lighting experts in six different countries, and our global network offers our expertise in more than 30 countries. Our head office and our largest production facilities are located in Lahti, Finland. Teknoware is part of the Teknower Group.

Teknoware – Made in Finland.



P.O. Box 19, FI-15101 Lahti
Ilmarisentie 8, FI-15200 Lahti

Tel: +358 3 883 020
emexit@teknoware.com

teknoware.com