



## Local controller TST6805 - Installation and maintenance instructions

Local Controller enables the local control of emergency luminaires in Teknoware central battery systems. It monitors the local supply, and controls the emergency luminaires connected to it.

Local voltage breakdown switches on the non-maintained emergency luminaires, even if the supply to the central battery unit remains.

Both maintained and non-maintained emergency luminaires can be connected to the same circuit. This eliminates separate cabling for maintained and non-maintained luminaires.

Local Controller is connected to the emergency supply cabling between the central battery unit and luminaires. Its monitoring inputs are connected to the mains supply of the local general lighting, and it can monitor up to 3 phases independently. If any of the monitoring inputs detect supply failure, Local Controller sends a message via supply cable to the non-maintained luminaires, and they switch themselves on. When the supply recovers, the normal operation returns automatically.

TST6805 also has a switch control input and a DIP switch for setting a time delay, so that the connected luminaires remain lit, after the normal power supply has been restored. Both maintained and non-maintained emergency luminaires can be connected to the same circuit wiring. Teknoware addressable emergency luminaires can be set as non-maintained during the installation, when used with Local Controller. TST6805 also has a relay output, for controlling other devices. The relay output changes status when Local Controller is activated.

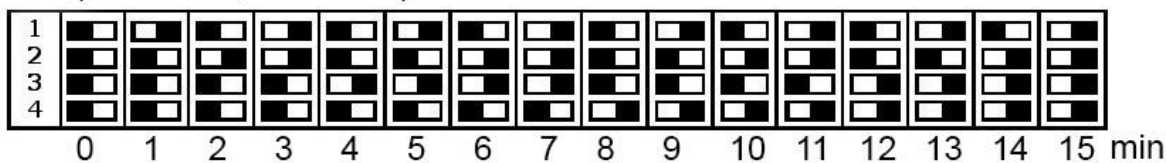
### Points to note

- This product may only be installed or maintained by a qualified electrician.
- Any modifications to this product, without a written consent from the manufacturer, are prohibited.
- This product may only be used for purposes specified by the manufacturer.

### Installation

Set the delay time for luminaires, according to how long you wish the luminaires to remain lit after normal power is restored. The delay time is set with the DIP switch 1-4, according to the image below:

DIP (  =OFF,  =ON)



Set DIP 6 switch to ON for standard mode, or OFF for Intelligent Controller mode. After the DIP switch settings, install TST6805 on a DIN rail, inside a distribution panel, or in a similar, secured location. Connect the wires according to the connection diagram on page 4, and the markings on the label on the module.

### Maintenance

Maintenance is done together with the normal maintenance of the emergency lighting system.

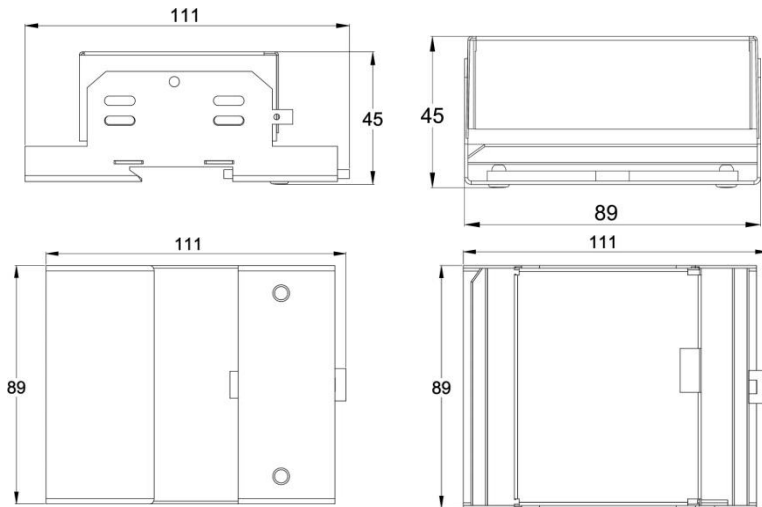
### Removing from usage

Metal parts are aluminum or steel waste. Wirings, circuit boards and electronic components are electronic waste. Plastic parts are recycled according to the separate material markings on them.

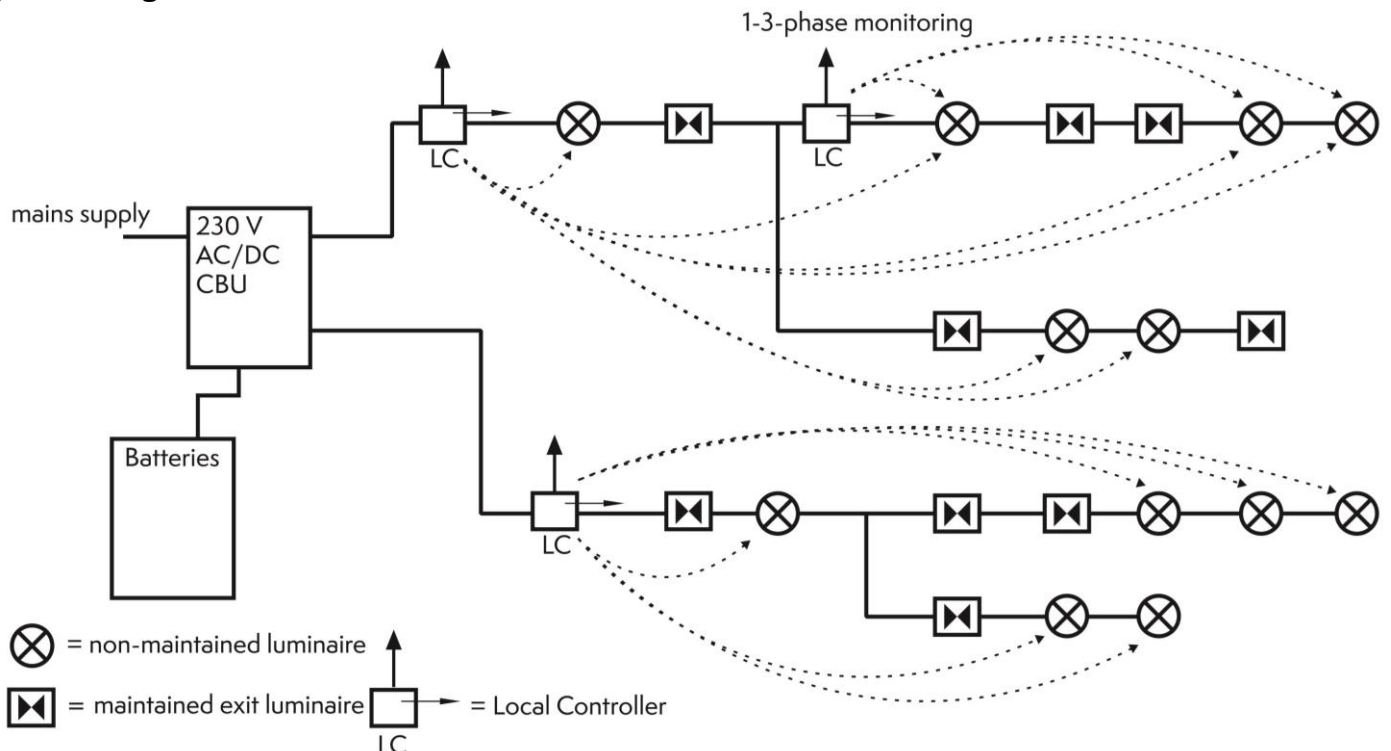
## Technical information

Product code	Input voltage	Power	Installation	Features
TST6805	230 V	1400 VA	DIN rail, inside the distribution panel	<ul style="list-style-type: none"> <li>Intelligent Controller (IC) compatible</li> <li>1-3-phase monitoring / 230 V control input</li> <li>Controlling the non-maintained luminaires through the supply cabling</li> <li>Switch Control input</li> <li>Relay contact output from 1-3-phase monitoring (NC/NO)</li> <li>0-15 min adjustable delay for returning to mains operations with 1 minute spacing with DIP Switch</li> </ul>

## Mechanical dimensions



## System diagram



## Connection diagram

